

Lumiglas Sight Glass Fitting, Circular DIN 28121 or similar

Sight glass fittings acc. to DIN 28121 are circular flanged ports that are fastened to welding neck flanges, base flanges or similar by means of bolts.

The fitting is mechanically pre-tensioned as a unit. The structure and dimensions comply with the design standards set out in DIN 28121.

- **Connecting sizes:** PN 10, DN 40 to DN 200
- **Application:**
For viewing of internals of pressure vessels, tanks, silos, stirred vessels, separators pipelines etc.
- **Operating conditions:**
Pressure: 10 bar or 25 bar; vacuum
Temperature: max. 200°C with borosilicate glass DIN 7080
higher temperatures on request
- **Possible combinations:**
Can be combined with Lumiglas luminaires when used in **explosion hazardous as well as non explosion hazardous areas**. The Mating flange is then drilled and tapped to suit luminaire mounting bracket.
- **Certificates/testing:**
Depending on customer requirements and at extra cost, can be provided to DIN EN 10204 3.1/3.2

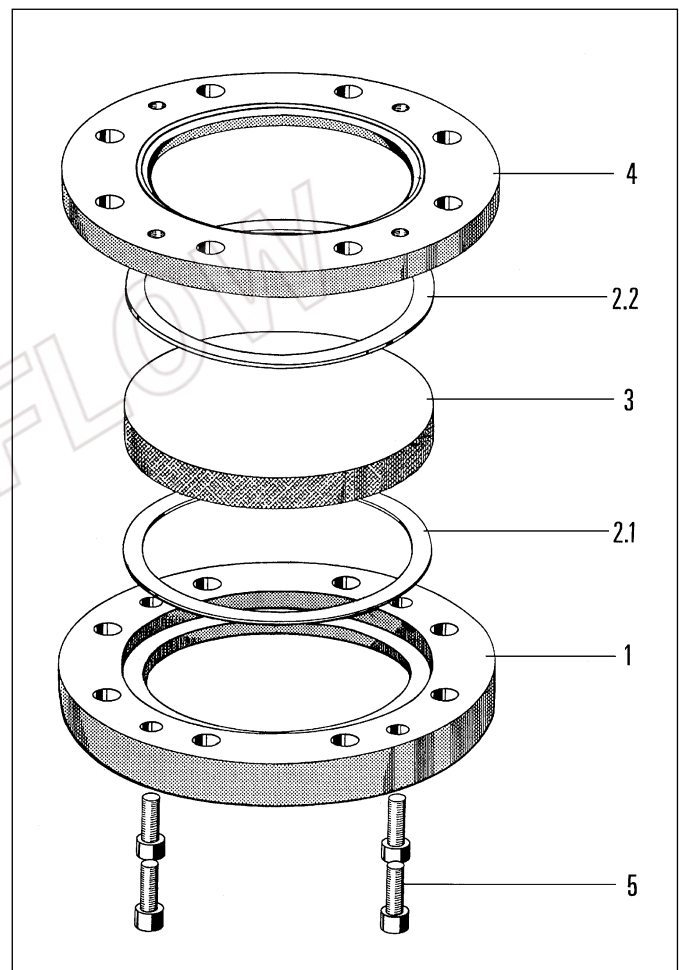
- **Component materials** shown in adjoining exploded view are

| item | part | material |
|------|---------------------------------------|---|
| 1 | base flange (version A) | boiler plate H II DIN 17155; stainless steel 1.4571 to DIN 17440 or other |
| | AB1 | sealing rib to DIN EN 1092-1 |
| | AC | tongue to DIN EN 1092-1 |
| | AE | male socket to DIN EN 1092-1 |
| 2.1 | gasket (side with product contact) | PTFE envelope resilient gasket with corrugated support ring |
| 2.2 | gasket (atmospheric side) | KLINGERSil C-4400 |
| 3 | sight glass disc | borosilicate glass: toughened DIN 7080 |
| 4 | Mating flange | boiler plate H II, stainless steel 1.4571 or other steel 5.6 |
| 5 | compression bolts | |

- **Installation:**
Use appropriate fastening bolts, the number and size of which are given on table overleaf, to fit the ready pre-compressed and internally sealed unit to nozzle flange, vessel pad etc.

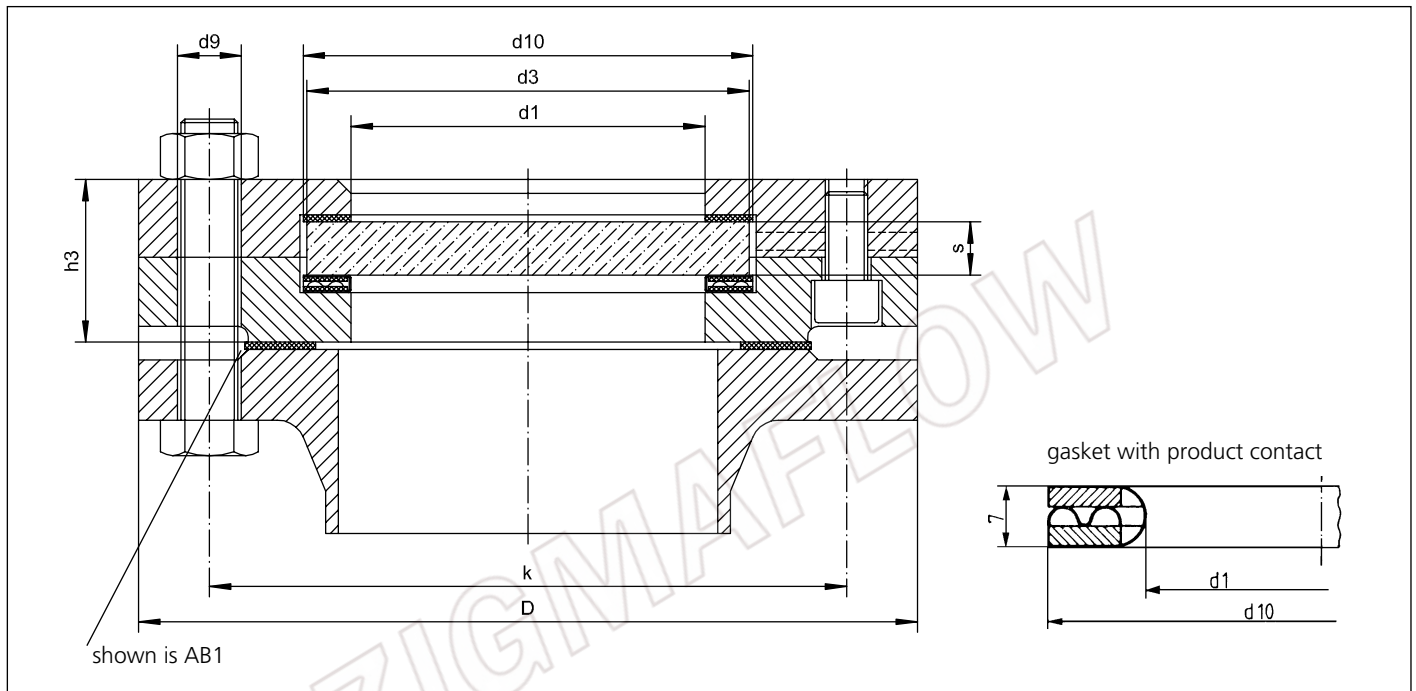


Lumiglas sight glass fitting DIN 28121



Exploded view of circular sight glass fitting DIN 28121

• Dimensions for Lumiglas sight glass fitting, circular, DIN 28121/PN 10 (version A)



| size | | 1 | 2 | 3 | 4 | 5 | 6 | 7 |
|---|------|-------|-------|-------|-----------|-----------|-----------|-----------|
| nominal bore | DN | 40 | 50 | 80 | 100 | 125 | 150 | 200 |
| nominal pressure (bar) | PN | 10/25 | 10/25 | 10/25 | 10/25 | 10/25 | 10/25 | 10/25 |
| viewing diameter | d1 | 48 | 65 | 80 | 100 | 125 | 125 | 150 |
| sight glass disc | d3 | 63 | 80 | 100 | 125 | 150 | 150 | 175 |
| | s | 10/12 | 12/15 | 15/20 | 15/25 | 20/30 | 20/30 | 20/30 |
| flanges | D | 150 | 165 | 200 | 220/235 | 250/270 | 285/300 | 340/360 |
| | k | 110 | 125 | 160 | 180/190 | 210/220 | 240/250 | 295/310 |
| | h3 | 36/38 | 38/41 | 46/50 | 46/59 | 54/66 | 54/66 | 54/66 |
| fastening bolts (not included in supply) | no. | 4 | 4 | 8 | 8 | 8 | 8 | 8/12 |
| | size | M 16 | M 16 | M 16 | M 16/M 20 | M 16/M 24 | M 20/M 24 | M 20/M 24 |
| | d9 | 18 | 18 | 18 | 18/22 | 18/26 | 22/26 | 22/26 |
| gaskets | d1 | 48 | 65 | 80 | 100 | 125 | 125 | 150 |
| | d10 | 65 | 82 | 102 | 127 | 152 | 152 | 177 |

• Ordering details:

- fitting (DIN) and construction
- nominal bore (DN) / nominal pressure (PN)
- material: base flange (and form of sealing face), test certification 3.1/3.2 on request
mating flange, test certification 3.1/3.2 on request
bolts
glass disc
gaskets